

HEDO+

OUTDOOR | URBAN | AREA LIGHTING



Subtraction adds value

The primary purpose of urban lighting is to secure safety, fulfil essential functions, enhance landscape design, increase social interaction and wellbeing, and upgrade orientation. This new series makes it all possible for new or improving existing installations, delivering urban and residential lighting with a low environmental impact.

The new HEDO+, restyling of the homonymous series, is one single structure, aesthetically unique, characterised by minimalistic and pure design. The extensive use of voids subordinate HEDO+ to the environment: a crystal clear example where subtraction adds value.

Thanks to the proprietary optics set and the various lumen packages options, HEDO+ FT enables precise and excellent semi-cylindrical illumination to guarantee recognition and safety of pedestrians for all urban context foreseen by current regulations.

The series embraces the needs of the cities of the future through the provision for NEMA and Zhaga Book 18 protocols, interfaces for wireless remote control systems, opening to all future developments of the Internet of Things (IoT) and connected cities. In this way, each public administration can use its management system and platforms in anticipation of further developments on this thematic imagination.

HEDO+

OVERVIEW



HEDO+ **NEW**



HEDO+ FT **NEW**

Construction

IP		IP65	IP66
IK		IK09 17J xx7	IK08 5J xx5
Dimensions [mm]		H 475 - Ø 330	H 565 - Ø 450
Windage area	EPA - front	0,0069 m ²	0,086 m ² - 0,09 (Nema)
	EPA - side	0,006 m ²	0,159 m ²
	EPA - top	-	-
Weight		Max 4 kg	Max 8 kg
Colour		●	●

Installation

Quick		✓	✓
-------	--	---	---

LED

Lightsource lumen output	3000 K	3150 lm ÷ 5894 lm	2026 lm ÷ 6837 lm
	4000 K	3247 lm ÷ 6140 lm	2094 lm ÷ 7181 lm
Luminaire lumen output	3000 K	2080 lm ÷ 3710 lm	1591 lm ÷ 4924 lm
	4000 K	2145 lm ÷ 3865 lm	1697 lm ÷ 5189 lm
CCT - Correlated Color Temperature		3000 K - 4000 K	3000 K - 4000 K
CRI / SDCM (macadam step)		80/5	70/3
Lifetime		L80B10@100000h	L90B10@100000h

Optic

C/EW extra wide circle reflector		C/EW	C/EW
SR/075 road reflector		-	SR/075

Electrical

Wattage		23 W - 42 W	14 W - 18 W - 19 W - 25 W - 27 W 34 W - 36 W - 40 W - 43 W
Class		I	II
Ta MAX° luminaire		50°C	55°C ÷ 45°C
Ta MIN° luminaire		-20°C	-20°C
Dimmable 1-10V		-	-
Dimmable DALI		✓	-
CO _s φ ≥ 0,9		✓	✓
SPD (10kV)		✓	✓

Control systems

Automatic derating		✓	✓
Pilot wire command derating		(on request)	(on request)
Constant light output		-	(on request)

● AN-96 / Anthracite gray / Textured

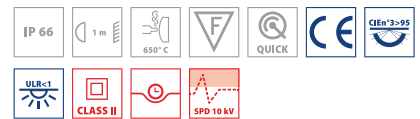
HEDO+ FT

design by PERFORMANCE IN LIGHTING

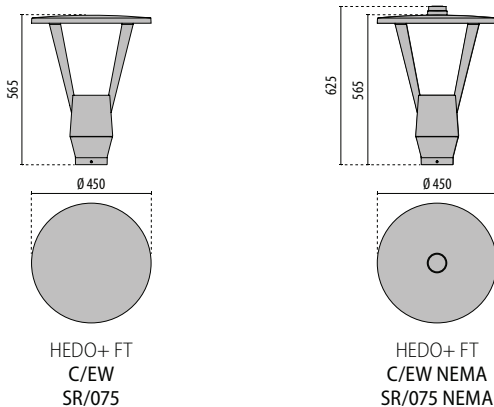


- Post-mounting outdoor luminaire, comprising:
- Die-cast aluminium housing chemically pre-treated and painted with polyester powder coating
 - Painted die-cast aluminium pole-mounting joint for pole Ø 60 mm or 76 mm
 - Extra-clear flat tempered glass diffuser internally screen-printed
 - High resiliency anti-ageing silicone gasket with high elastic return capacity
 - Electrical connection with outdoor rated plug & socket quick connector (IP66) that allows connection to mains without opening the luminaire. Made in PA66 with silver-plated brass contacts, for cables Ø 9 - Ø 12 mm
 - Light beam obtained by the combination of multiple LED modules

- Compliant with the UNI 10819 Standard and with the Italian regional laws on light pollution
- Stainless steel external screws
- Complete with supplementary device for protection against network surges of up to 10 kV (DM)
- NEMA versions are complete with NEMA SOCKET connected to DALI dimmer capable drivers and a watertight short-circuit cap that allows the on-off operation of the luminaire. These versions are designed for mounting SMART-compatible solutions.
- Consult factory for other colour temperatures and colour rendering index
- Photometric data measure according to UNI EN 13032-4 and IES LM-79-08



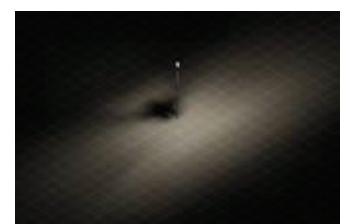
● AN-96 / Anthracite gray / Textured



Please visit our web site
www.performanceinlighting.com
for the latest updated versions available.



C/EW

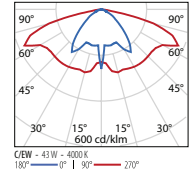


SR/075

HEDO+ FT C/EW

IK08 5J xx5

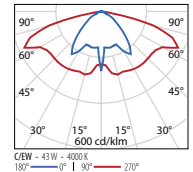
WATTAGE	CLASS	CEC	CRI	KELVIN	COS ϕ ≥ 0.9	OPTIC	OPTIC BEAM	LIGHTSOURCE LUMEN OUTPUT	LUMINAIRE LUMEN OUTPUT	L	B	LIFETIME	COLOUR/ RAL	PART NUMBER	EURO
Power LED 220-240 V 50/60 Hz															
43 W	II	-	70	4000	✓	C/EW	-	7181 lm	5189 lm	90	10	100000 h	●	3104726	438,00
43 W	II	-	70	3000	✓	C/EW	-	6837 lm	4924 lm	90	10	100000 h	●	3104723	438,00
36 W	II	-	70	4000	✓	C/EW	-	6012 lm	4349 lm	90	10	100000 h	●	3104717	438,00
36 W	II	-	70	3000	✓	C/EW	-	5724 lm	4132 lm	90	10	100000 h	●	3104714	438,00
25 W	II	-	70	4000	✓	C/EW	-	4175 lm	3024 lm	90	10	100000 h	●	3104708	428,00
25 W	II	-	70	3000	✓	C/EW	-	3975 lm	2879 lm	90	10	100000 h	●	3104705	428,00
18 W	II	-	70	4000	✓	C/EW	-	3006 lm	2185 lm	90	10	100000 h	●	3104699	428,00
18 W	II	-	70	3000	✓	C/EW	-	2862 lm	2077 lm	90	10	100000 h	●	3104696	428,00



HEDO+ FT C/EW NEMA

IK08 5J xx5

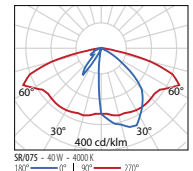
WATTAGE	CLASS	CEC	CRI	KELVIN	COS ϕ ≥ 0.9	OPTIC	OPTIC BEAM	LIGHTSOURCE LUMEN OUTPUT	LUMINAIRE LUMEN OUTPUT	L	B	LIFETIME	COLOUR/ RAL	PART NUMBER	EURO
Power LED - dimmable DALI with NEMA socket - 220-240 V 50/50 Hz															
43 W	II	-	70	4000	✓	C/EW	-	7181 lm	5189 lm	90	10	100000 h	●	3106065	538,00
36 W	II	-	70	4000	✓	C/EW	-	6012 lm	4349 lm	90	10	100000 h	●	3106064	538,00
25 W	II	-	70	4000	✓	C/EW	-	4175 lm	3024 lm	90	10	100000 h	●	3106063	528,00
18 W	II	-	70	4000	✓	C/EW	-	3006 lm	2185 lm	90	10	100000 h	●	3106062	528,00



HEDO+ FT SR/075

IK08 5J xx5

WATTAGE	CLASS	CEC	CRI	KELVIN	COS ϕ ≥ 0.9	OPTIC	OPTIC BEAM	LIGHTSOURCE LUMEN OUTPUT	LUMINAIRE LUMEN OUTPUT	L	B	LIFETIME	COLOUR/ RAL	PART NUMBER	EURO
Power LED 220-240 V 50/60 Hz															
40 W	II	-	70	4000	✓	SR/075	-	6021 lm	4653 lm	90	10	100000 h	●	3104771	418,00
40 W	II	-	70	3000	✓	SR/075	-	5719 lm	4291 lm	90	10	100000 h	●	3104768	418,00
34 W	II	-	70	4000	✓	SR/075	-	5143 lm	3971 lm	90	10	100000 h	●	3104762	418,00
34 W	II	-	70	3000	✓	SR/075	-	4886 lm	3690 lm	90	10	100000 h	●	3104759	418,00
27 W	II	-	70	4000	✓	SR/075	-	3942 lm	3176 lm	90	10	100000 h	●	3104753	418,00
27 W	II	-	70	3000	✓	SR/075	-	3813 lm	2945 lm	90	10	100000 h	●	3104750	418,00
19 W	II	-	70	4000	✓	SR/075	-	2833 lm	2258 lm	90	10	100000 h	●	3104744	408,00
19 W	II	-	70	3000	✓	SR/075	-	2740 lm	2109 lm	90	10	100000 h	●	3104741	408,00
14 W	II	-	70	4000	✓	SR/075	-	2094 lm	1697 lm	90	10	100000 h	●	3104735	408,00
14 W	II	-	70	3000	✓	SR/075	-	2026 lm	1591 lm	90	10	100000 h	●	3104732	408,00



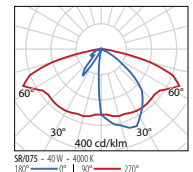
Power LED - with automatic power reduction 220-240 V 50/60 Hz

40 W	II	-	70	4000	✓	SR/075	-	6021 lm	4653 lm	90	10	100000 h	●	3104773	478,00
40 W	II	-	70	3000	✓	SR/075	-	5719 lm	4291 lm	90	10	100000 h	●	3104770	478,00
34 W	II	-	70	4000	✓	SR/075	-	5143 lm	3971 lm	90	10	100000 h	●	3104764	478,00
34 W	II	-	70	3000	✓	SR/075	-	4886 lm	3690 lm	90	10	100000 h	●	3104761	478,00
27 W	II	-	70	4000	✓	SR/075	-	3942 lm	3176 lm	90	10	100000 h	●	3104755	478,00
27 W	II	-	70	3000	✓	SR/075	-	3813 lm	2945 lm	90	10	100000 h	●	3104752	478,00
19 W	II	-	70	4000	✓	SR/075	-	2833 lm	2258 lm	90	10	100000 h	●	3104746	468,00
19 W	II	-	70	3000	✓	SR/075	-	2740 lm	2109 lm	90	10	100000 h	●	3104743	468,00
14 W	II	-	70	4000	✓	SR/075	-	2094 lm	1697 lm	90	10	100000 h	●	3104737	468,00
14 W	II	-	70	3000	✓	SR/075	-	2026 lm	1591 lm	90	10	100000 h	●	3104734	468,00

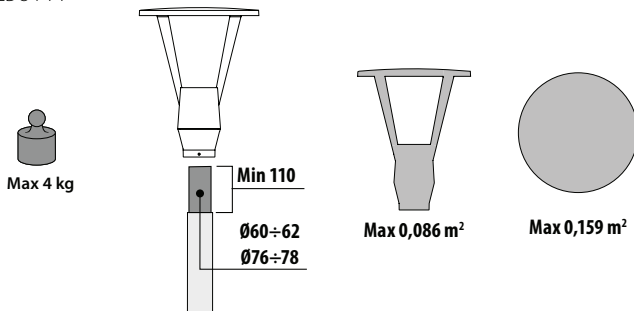
HEDO+ FT SR/075 NEMA

IK08 5J xx5

WATTAGE	CLASS	CEC	CRI	KELVIN	COS ϕ ≥ 0.9	OPTIC	OPTIC BEAM	LIGHTSOURCE LUMEN OUTPUT	LUMINAIRE LUMEN OUTPUT	L	B	LIFETIME	COLOUR/ RAL	PART NUMBER	EURO
Power LED - dimmable DALI with NEMA socket - 220-240 V 50/50 Hz															
40 W	II	-	70	4000	✓	SR/075	-	6021 lm	4653 lm	90	10	100000 h	●	3106070	518,00
34 W	II	-	70	4000	✓	SR/075	-	5143 lm	3971 lm	90	10	100000 h	●	3106069	518,00
27 W	II	-	70	4000	✓	SR/075	-	3942 lm	3176 lm	90	10	100000 h	●	3106068	518,00
19 W	II	-	70	4000	✓	SR/075	-	2833 lm	2258 lm	90	10	100000 h	●	3106067	508,00
14 W	II	-	70	4000	✓	SR/075	-	2094 lm	1697 lm	90	10	100000 h	●	3106066	508,00



HEDO+ FT



HEDO+ FT NEMA

